

# Hose Reel FB

5m Ø80 - 10m ø150

Hose reel type FB is a budget version of the original GEOVENT hose reel type F. The hose reel FB is based on the same transmission system as the type F, however it is more simple construction. The hose reel is suitable for extracting exhaust gasses, welding fumes, grinding dust etc. The inlet (ø160 mm) of the hose reel can be connected directly to a MSF 200 fan or can be connected to a central system. The hose reel are available with or without hose. For choosing the right nozzle - please refer to the appropriate data sheets.

2

## Effective spot extraction

Geovent FB Hose Reel



### Construction

Galvanized parts: Bracket, barrel, hose guide, end cover for spring, all nuts and bolts.

Epoxy painted parts: Inlet and end covers for barrel.

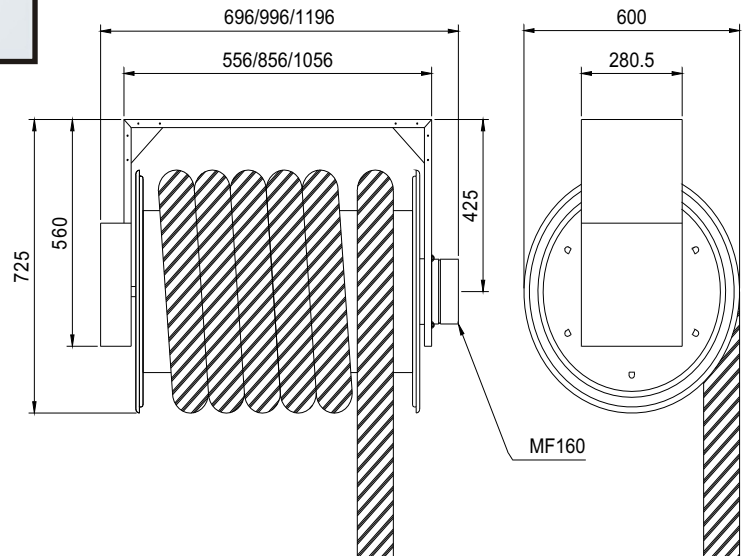
### Bearings

Inlet side: PEHD bearing art.no. 04-138.

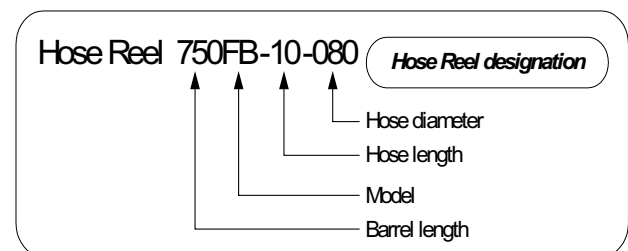
Spring side: Ball bearing YAR 205 2F art.no. 91-260.

Hose: Exhaust hose with nylon spiral. The hose can be overrun to a certain extent. Temperature range up to 150°C - temporary to 170°C.

Upwinding capacity: Max. Hose weight including nozzle = 15.0 ka.



Ordering table for Hose reel FB	
Art.no.	Model
<b>Hose Reel FB Without Hose &amp; Nozzle</b>	
04-571	Hose Reel 450FB
04-558	Hose Reel 750FB
04-559	Hose Reel 950FB
<b>Hose Reel FB With Hose, but Without Nozzle</b>	
04-550	Hose Reel 450FB-05-080
04-580	Hose Reel 750FB-07-080
04-551	Hose Reel 750FB-10-080
04-552	Hose Reel 750FB-05-100
04-581	Hose Reel 750FB-07-100
04-553	Hose Reel 950FB-10-100
04-554	Hose Reel 750FB-05-125
04-582	Hose Reel 750FB-07-125
04-555	Hose Reel 950FB-10-125
04-556	Hose Reel 750FB-05-150
04-583	Hose Reel 750FB-07-150
04-557	Hose Reel 950FB-10-150



# GEOVENT

Hovedgaden 86  
DK-8831 Løgstrup  
Phone: (+45) 86 64 22 11  
Telefax: (+45) 86 64 30 75  
email: salg@geovent.dk  
www.geovent.com



March 2001