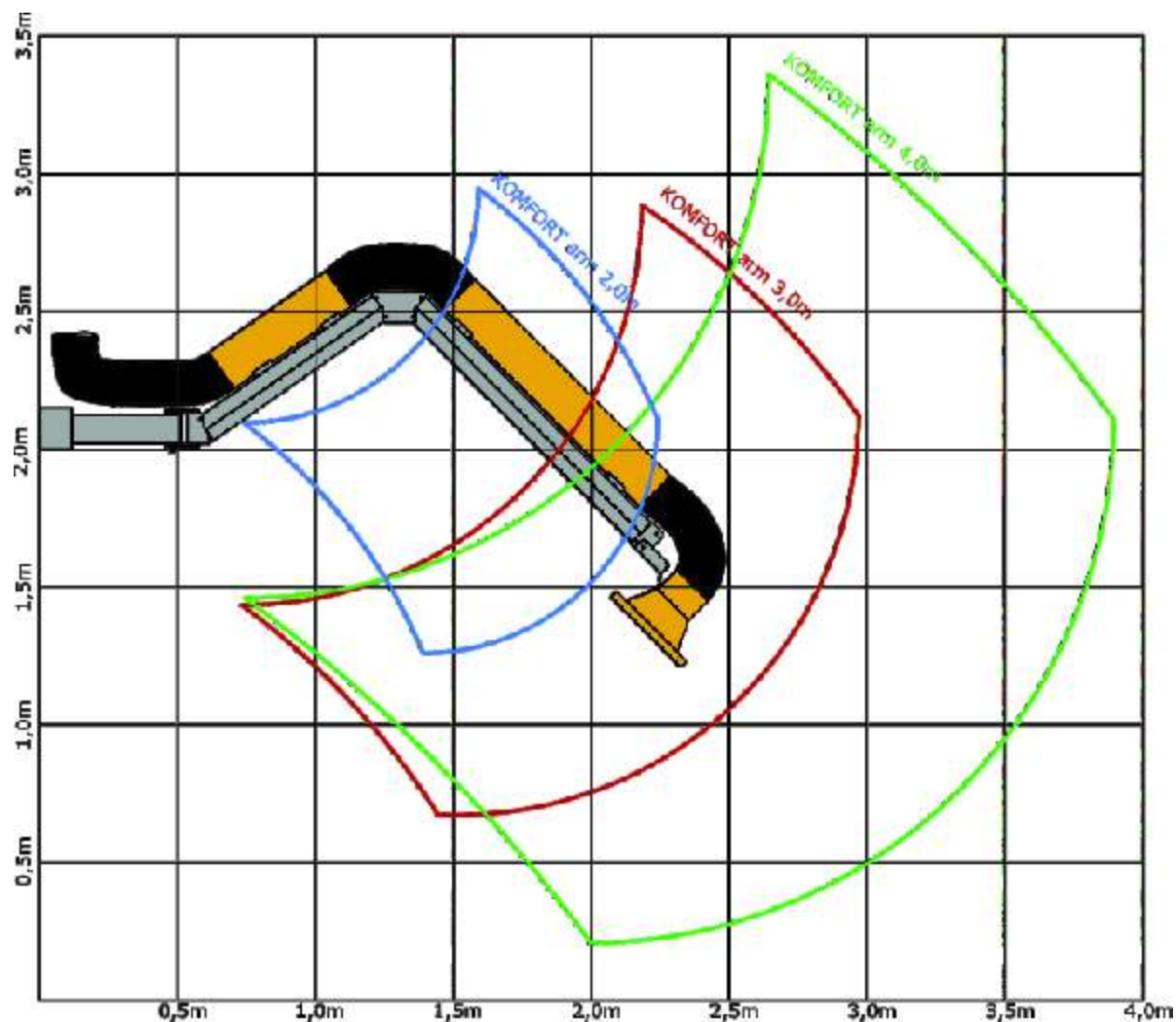
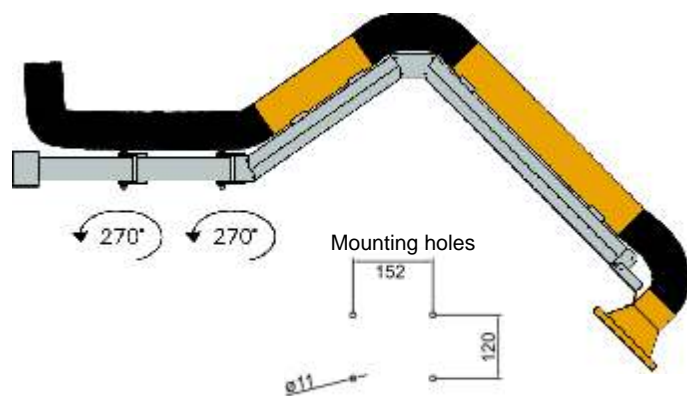


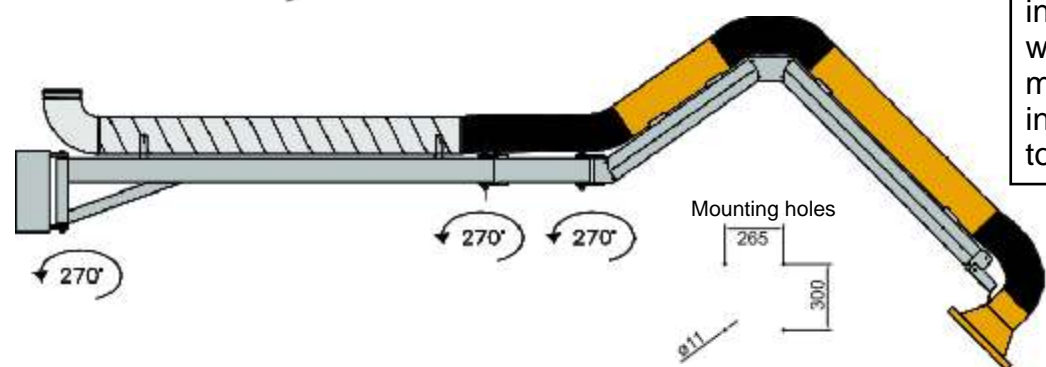
Work area



Extension of KOMFORT arm



The double pivot increases the reach of the arm by 0,5 m, and furthermore the work area is increased with 0,5 m towards the wall.



The extension arm increases the arm reach with 2 m, and furthermore the work area is increased with 0,5 m towards the wall.

KOMFORT arm®

NEW



FEATURES

Low pressure drop - Low energy consumption

Because of the external arm construction, the air runs freely through the arm, which reduces the energy consumption remarkably, compared to traditional arms. The pressure drop is reduced even more because the turbulence created by the hose is lowered additionally by the use of pipe when possible.

Easy positioning.

The powerful gas spring combined with a parallelogramic system makes the positioning very smooth & easy - so easy that it is easily manoeuvred with one hand.

Stable construction - protection shield

The tough construction secure durability, but it also makes the arm stable and perfectly balanced when positioned. Furthermore the risk of injuring your fingers in the parallelogramic construction, as in some other types of arms, has been removed due to the integrated protection shield.

Maintenance

The arm does not need much maintenance as traditional arms.

OPTIMIZED EXTRACTION

Geovent A/S
Hovedgaden 86 - DK-8831 Løgstrup
Tel. +45 86 64 22 11 - Fax: + 45 86 64 30 75
email: salg@geovent.dk - www.geovent.com

Description

The Geovent KOMFORT arm is used for extraction of welding fumes, dust and fumes etc. The easy manoeuvrability and positioning of the arm is made possible due to the hidden gas springs placed in a parallelogram construction. The external running pipe means that there is nothing to stop the free passage of the air through the arm - resulting in a low pressure drop.

Articulated arm:

Epoxy coated steel in a deep dark gloss 90, with galvanised screws and bolts.

Pipe:

Galvanised and epoxy coated steel.

Gas springs:

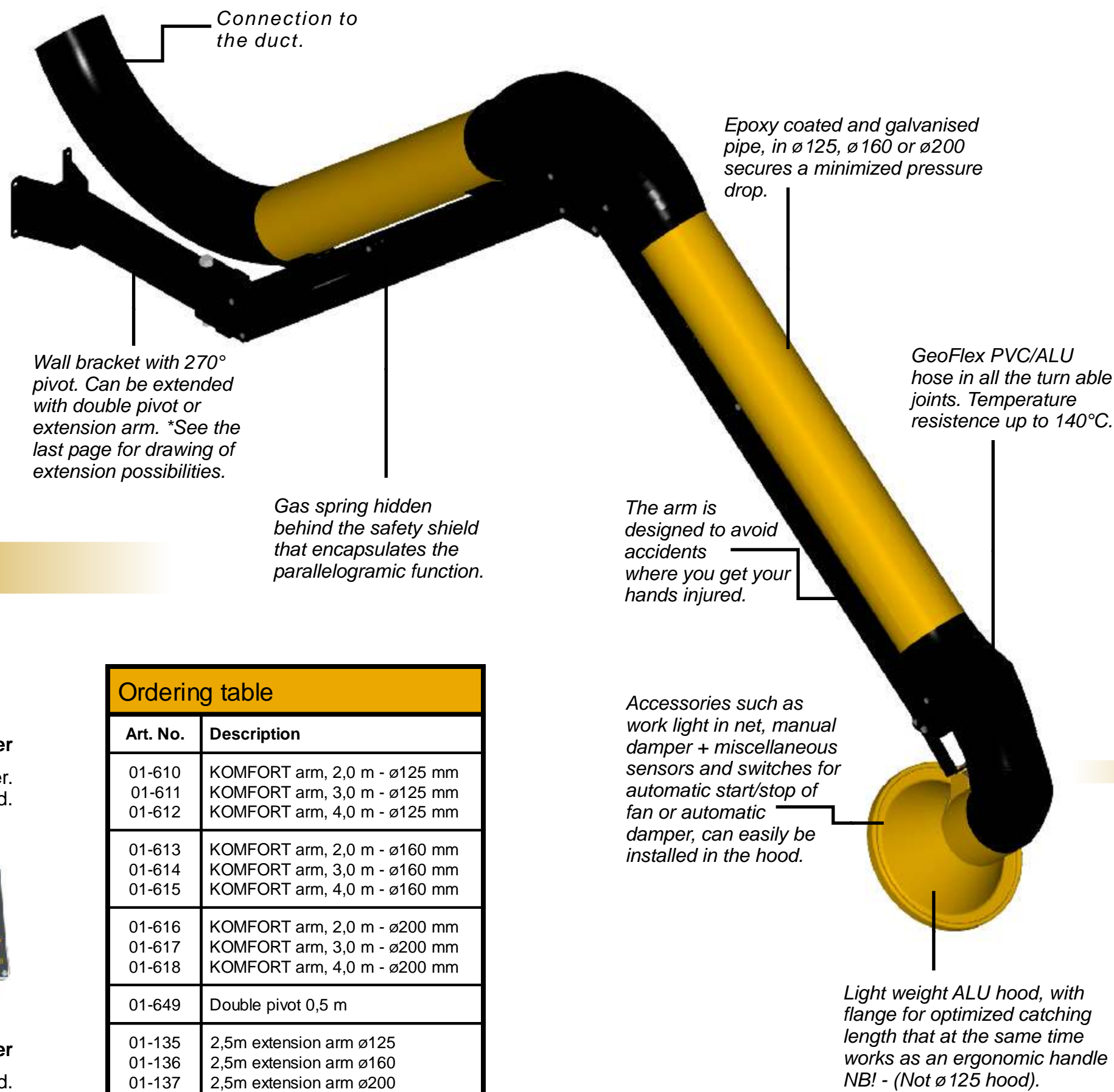
Coated steel.

Hood:

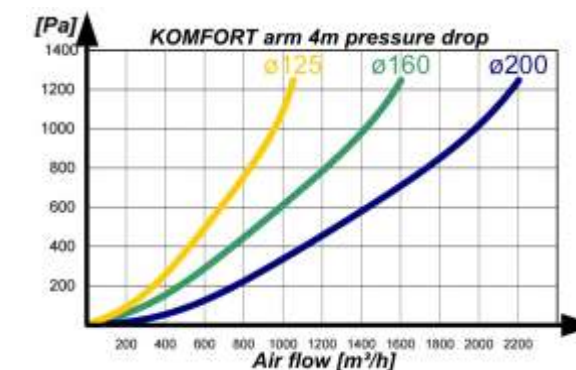
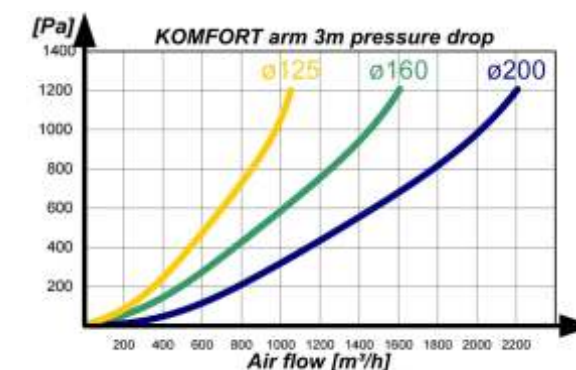
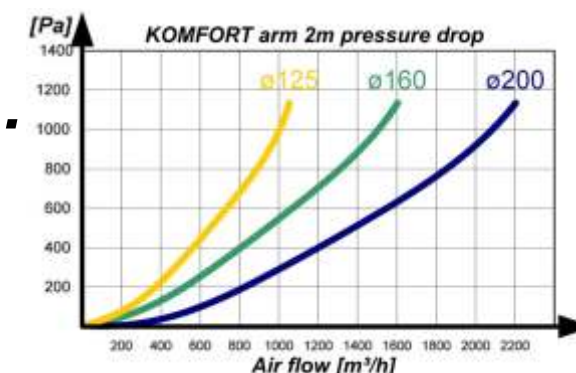
Epoxy coated aluminium.

GEOVENT KOMFORT arm

-Energy saving, ergonomic & easy positioning extraction arm...



Pressure drop



Recommended air flow:

KOMFORT $\varnothing 125$: ca. 400 - 800 m³/h

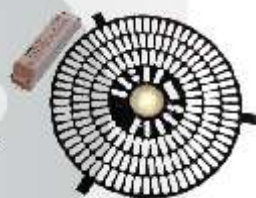
KOMFORT $\varnothing 160$: ca. 800 - 1.300 m³/h

KOMFORT $\varnothing 200$: ca. 1.300 - 2.000 m³/h

Options

Halogen light

50W 12V light with net and power supply.



Energy saving damper

24V quick turning damper. opens/closes in 1 second.



PowerDetektor

Feels if the welder, grinder etc. are in use and opens the energy saving damper.



Manuel damper

Air tight damper in hood.



Ordering table

Art. No.	Description
01-610	KOMFORT arm, 2,0 m - $\varnothing 125$ mm
01-611	KOMFORT arm, 3,0 m - $\varnothing 125$ mm
01-612	KOMFORT arm, 4,0 m - $\varnothing 125$ mm
01-613	KOMFORT arm, 2,0 m - $\varnothing 160$ mm
01-614	KOMFORT arm, 3,0 m - $\varnothing 160$ mm
01-615	KOMFORT arm, 4,0 m - $\varnothing 160$ mm
01-616	KOMFORT arm, 2,0 m - $\varnothing 200$ mm
01-617	KOMFORT arm, 3,0 m - $\varnothing 200$ mm
01-618	KOMFORT arm, 4,0 m - $\varnothing 200$ mm
01-649	Double pivot 0,5 m
01-135	2,5m extension arm $\varnothing 125$
01-136	2,5m extension arm $\varnothing 160$
01-137	2,5m extension arm $\varnothing 200$